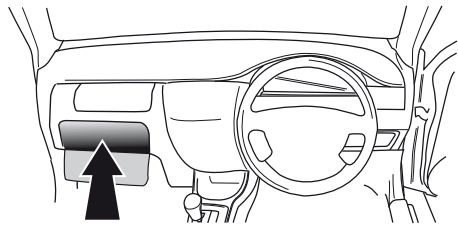
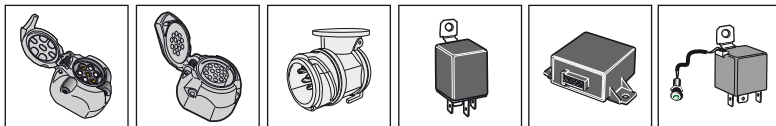


! INFO !

Do not charge the battery of the towing vehicle and/or towed vehicle directly via the socket.



User guide



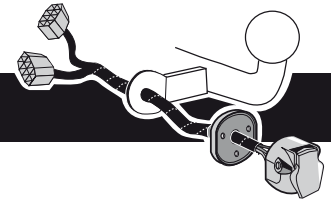
SPARE PARTS

www.ecs-electronicsuk.co.uk



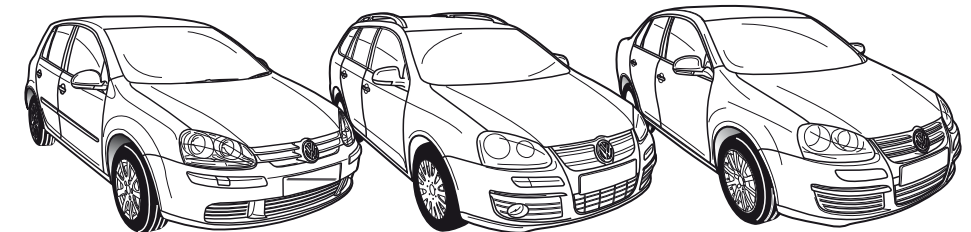
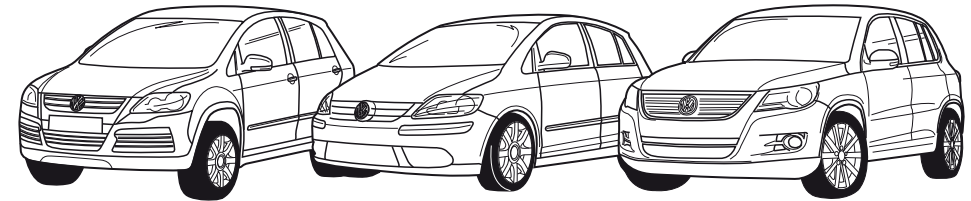
Partnr.: VW-096-B1U

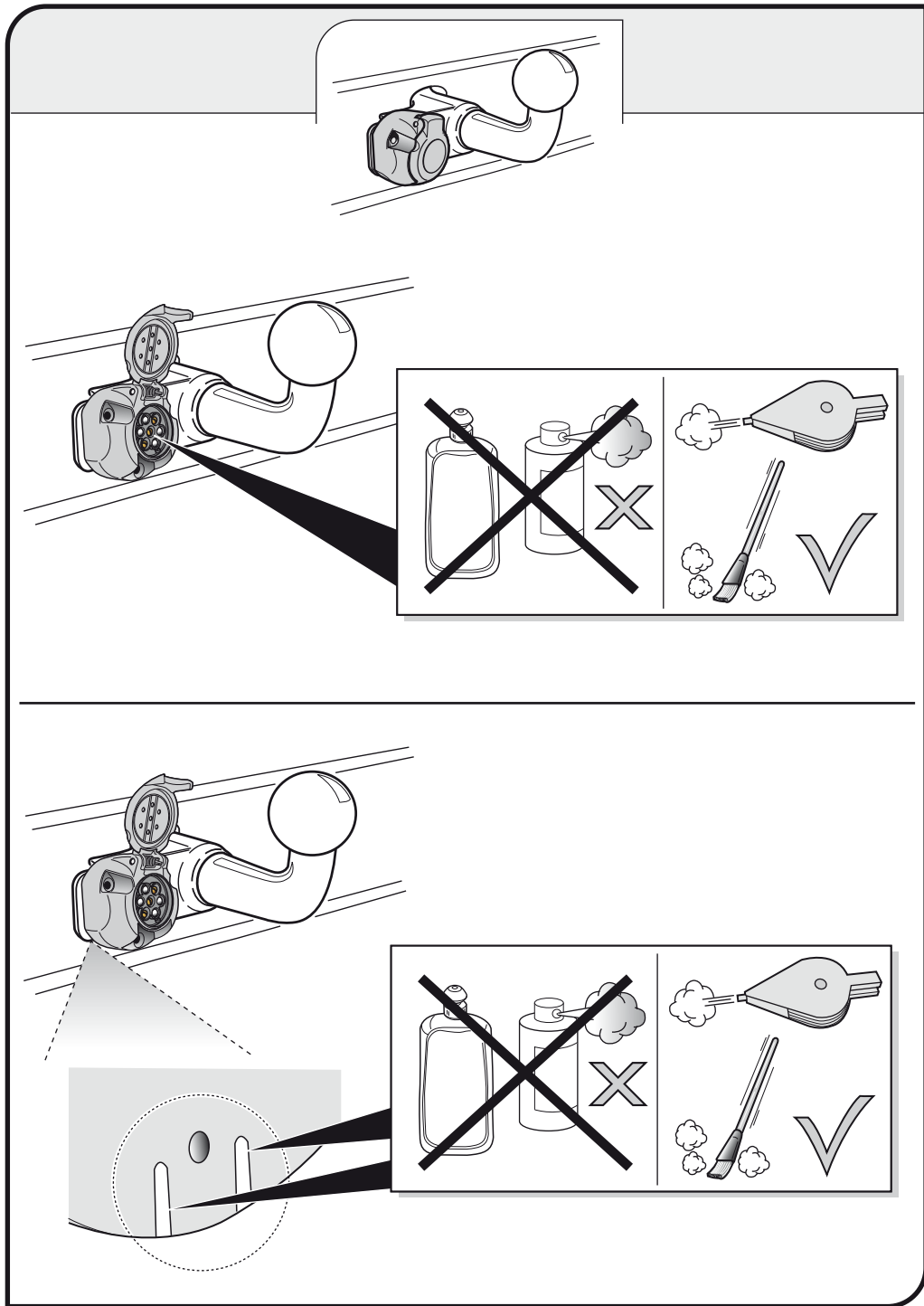
User Guide

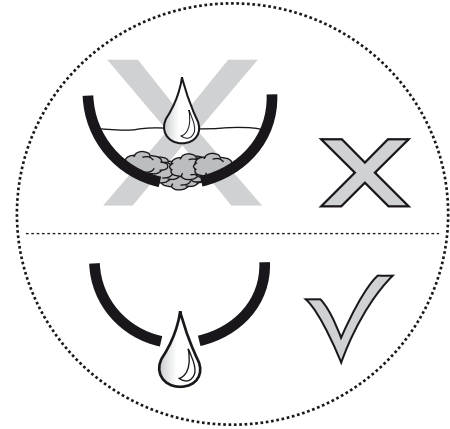
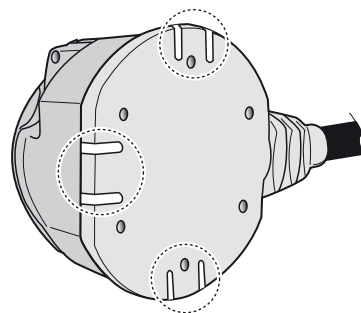
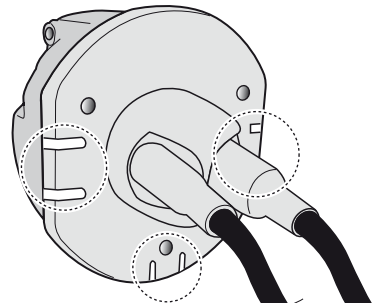
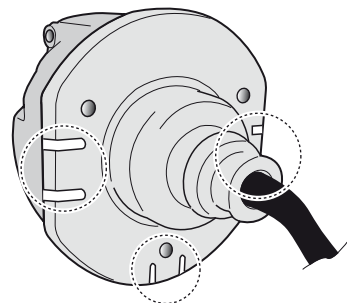
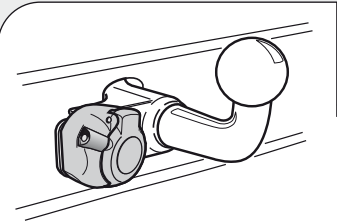


Volkswagen

- Eos 01/2006 >>
- Golf V 10/2003 >>09/2008
- Golf V Variant 06/2007 >> 08/2009
- Golf V Plus 01/2005 >> 02/2009
- CrossGolf 01/2007 >>
- Golf VI 10/2008 >> 10/2012
- Golf VI Variant 09/2009 >> 07/2013
- Golf VI Plus 03/2009 >>
- Jetta 08/2005 >>12/2010
- Jetta 01/2011 >>
- Tiguan I 11/2007 >> 03/2016







SOCKET CONNECTION

DIN/ISO 1724							
	1/L	2	3/31	4/R	5/58-R	6/54	7/58-L
Pmax	21W	21W		21W	42W	3x21W	42W
Colour	Black/ White	Blue	Brown	Black/ Green	Grey/ Red	Black/ Red	Grey/ Black

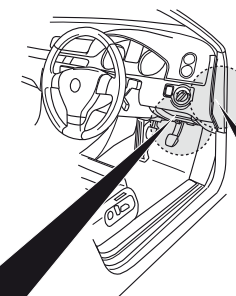


In a coupled trailer with working fog lamp, the fog lamp of the vehicle will be switched off, if applicable.

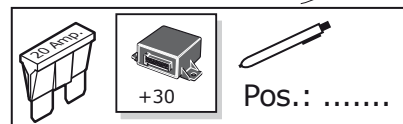


The flashing lights on the trailer are monitored. If one of the indicators of the trailer breaks down, a buzzer will be audible and/or a visual signal will be visible on the dashboard. Check the flashing lights on the trailer.

CHANGING THE FUSE



GOLF V PLUS
CROSSGOLF
TIGUAN



GOLF V & JETTA
GOLF V VARIANT
GOLF VI | GOLF VI PLUS
GOLF VI VARIANT | EOS

